

RC816F200CH

Meter mains, Homeline, combination service entrance, ringless socket, 200A, surface mount, maximum 8 spaces, 16 circuits, horn bypass

Product availability : Stock - Normally stocked in distribution facility



Main

Product or component type	Meter Mains
Range of product	Homeline

Complementary

Line Rated Current	200 A
Short-circuit current	22 kA
Network number of phases	1
Meter socket type	Ringless
Mounting	Surface
Number of spaces	8
Number of circuits	16
Number of Tandem Breakers	8
Hub type	A
Electrical connection	Lugs line side Feed-thru lugs service ground
Wire Size	AWG 6...350 kcmil aluminium/copper)line side AWG 12...AWG 2/0 aluminium/copper)service ground
Tightening torque	Main lugs 250 lb.in, AWG 6...350 kcmil, aluminium/copper Service ground 50 lb.in, AWG 14...AWG 2/0, copper Service ground 50 lb.in, AWG 12...AWG 2/0, aluminium Branch lugs 35 lb.in, AWG 6...AWG 4, aluminium/copper Branch lugs 25 lb.in, AWG 8, aluminium/copper Branch lugs 20 lb.in, AWG 14...AWG 10, copper Branch lugs 20 lb.in, AWG 12...AWG 10, aluminium Cover 10 lb.in
Disconnect	Service disconnect (ordered separately)

* Price is "List Price" and may be subject to a trade discount – check with your local distributor or retailer for actual price.

Main Breaker Rating	200 A
Branch Breaker Rating	200 A
Service feed location	OH UG
Bypass type	Horn bypass
Depth	5.07 in (128.78 mm)
Maximum Width	14.37 in (365.00 mm)
Height	35.13 in (892.30 mm)

Environment

Product certifications	UL E-6294
------------------------	-----------

Ordering and shipping details

Category	00048 - HOM METER MAINS
Discount Schedule	DE3A
GTIN	00785901863960
Nbr. of units in pkg.	1
Package weight(Lbs)	42.4 lb(US) (19.23 kg)
Returnability	Yes
Country of origin	MX

Packing Units

Unit Type of Package 1	PCE
Package 1 Height	5.90 in (14.986 cm)
Package 1 width	14.80 in (37.592 cm)
Package 1 Length	36.50 in (92.71 cm)
Unit Type of Package 2	PAL
Number of Units in Package 2	21
Package 2 Weight	902.00 lb(US) (409.14 kg)
Package 2 Height	40.00 in (101.6 cm)
Package 2 width	40.00 in (101.6 cm)
Package 2 Length	48.00 in (121.92 cm)

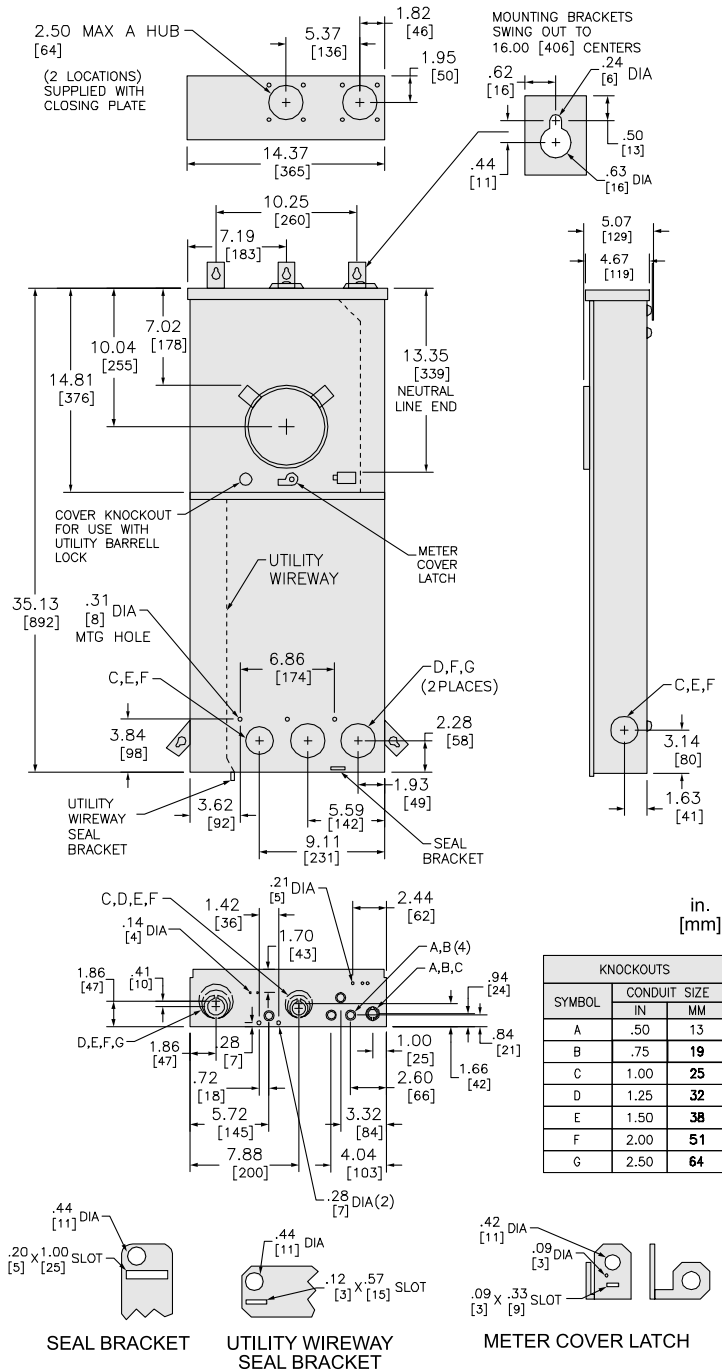
Offer Sustainability

Sustainable offer status	Green Premium product
California proposition 65	WARNING: This product can expose you to chemicals including: Lead and lead compounds, which is known to the State of California to cause cancer and birth defects or other reproductive harm. For more information go to www.P65Warnings.ca.gov
REACH Regulation	REACH Declaration
REACH free of SVHC	Yes
EU RoHS Directive	Compliant EU RoHS Declaration
Mercury free	Yes
RoHS exemption information	Yes
China RoHS Regulation	China RoHS declaration Product out of China RoHS scope. Substance declaration for your information.
Environmental Disclosure	Product Environmental Profile

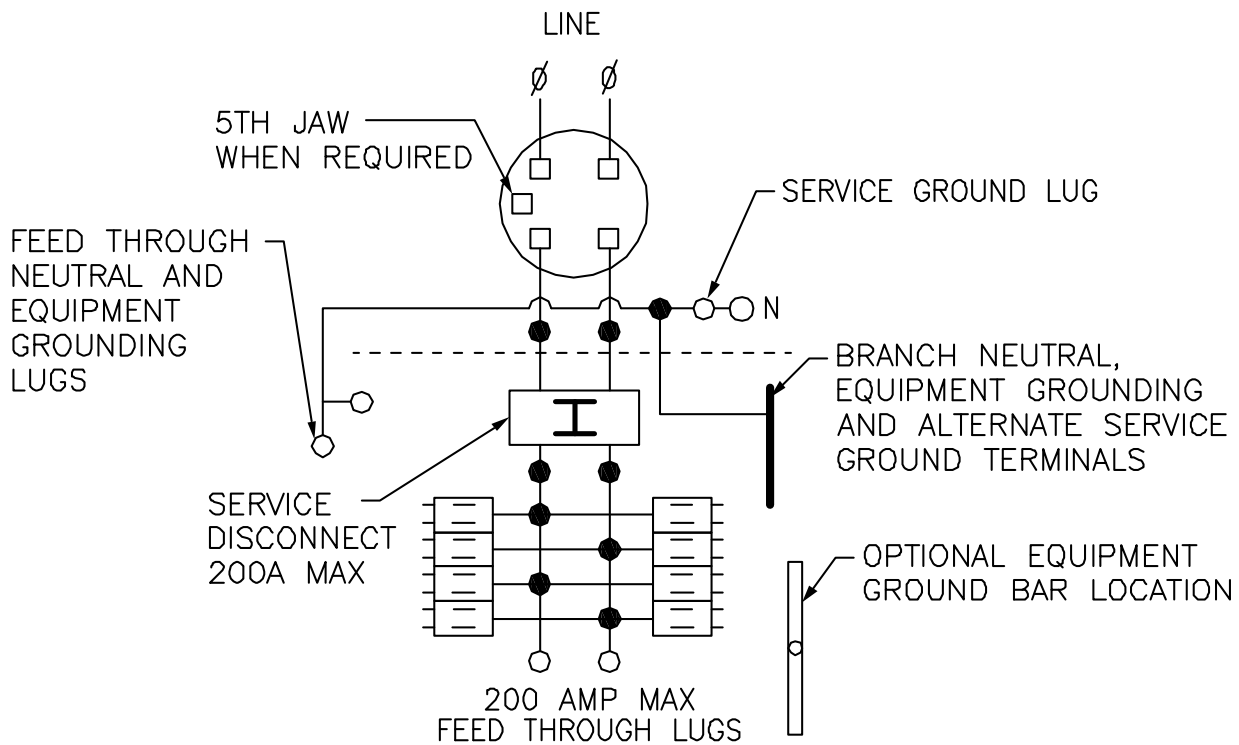
Contractual warranty

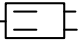
Warranty	18 months
----------	-----------

Dimensions



Wiring Diagram



●  TWO SINGLE POLE, ONE PLUG-ON SPACE TYPE HOMT OR ONE SINGLE POLE TYPE HOM. TWO POLE TYPE HOM OR HOMT (15-100A) MAY PLUG ON TWO ADJACENT SPACES. TWO POLE HOMA (150-200A) MAY PLUG ON FOUR ADJACENT SPACES.

A SQUARE D UL LISTED SECONDARY SURGE ARRESTER MAY PLUG ON TWO ADJACENT SPACES. ORDER CATALOG NO. HOM2175SB.